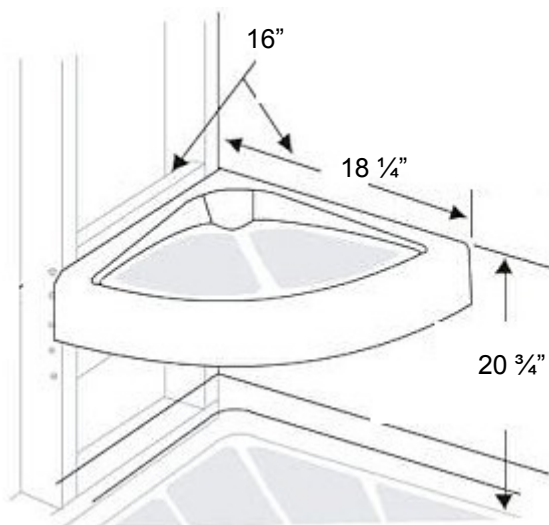
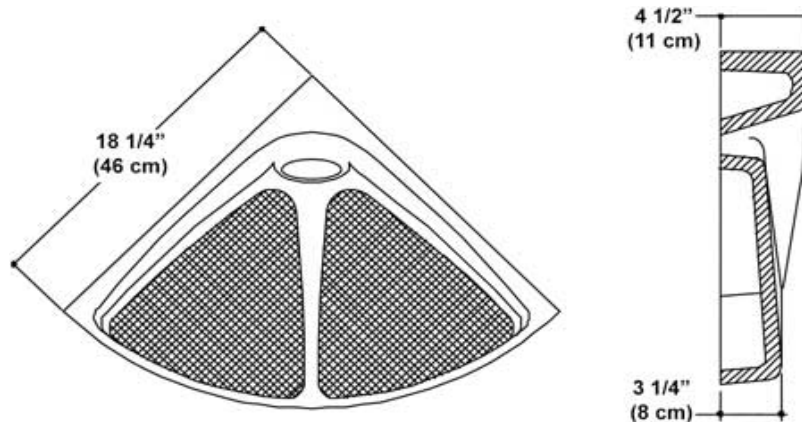


# CORNER SHOWER SEAT INSTALLATION

The following detailed instructions should be read completely before starting the work, and followed in sequence.

**NOTE: BEFORE DRILLING HOLES IN WALL STRUCTURE, VERIFY THAT THERE ARE NO WATER PIPES OR ELECTRICAL WIRES CONCEALED BEHIND HOLE LOCATIONS.**



**Step 1.** Site Preparation: 2" x 8" backing boards are nailed in position between studs. If access can be gained to the rear side the backing boards, plan seat installation using stainless steel bolts and washers. Wall anchors or lag screws may be used in inaccessible situations and steel based hardware will need to be rust- proof.

**Step 2.** Drill holes through each vertical mounting face of the seat in locations as shown. Hole size will be dependent on choice of mounting hardware. Plan for using rubber washers against the cultured marble to protect the surface.

**Step 3.** Place a support on top of the shower pan curb and push it into the corner. Locate the seat on top of the support. Wedge as shown for proper fit (if necessary).

**Step 4.** Mark holes to be drilled using pre-drilled holes in seat as guide. Remove seat and drill holes in wall paneling as required. Wipe down wall and seat surfaces with alcohol to remove wax residue.

**Step 5.** Apply 100% silicone sealant to seat mounting surfaces and locate seat as before. Secure the seat with mounting hardware, tightening each bolt in turn. Remove support and apply silicone sealant along junction of seat and walls. **Allow 24 hours curing time before actual use.**

**KEEP YOUR NORTH COAST CULTURED PRODUCT IN A CLIMATE-CONTROLLED SPACE AND IN THE ORIGINAL PACKAGING, LAYING FLAT UNTIL INSTALLED.**